

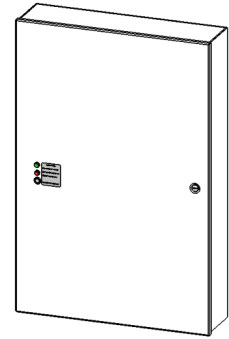
Cristal Controls CCLP Emergency Option

Description

Cristal Controls emergency option integrated into CCLP panel interfacing an emergency contact within a Low Voltage Relay Panel (CCLP series)

Statut LED

- ▶ (Green and Red) status light on front of the panel
- ▶ Test button located on front of the panel
- ▶ Certifications CSA US (3435-81) / UL 924 for emergency



A minimum of 5 seconds between the emergency signal and relay activation.

The same 5 seconds apply when pressing the test button.

The command can be "On" or only "On / Off" as required.

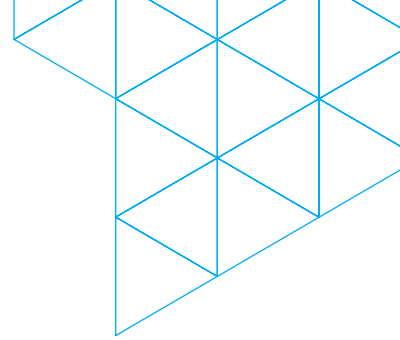
The command can be sent to a relay group distributed in several panels, when all panels are BACnet IP networked.

Materials included :

The following are part of the Emergency Option :

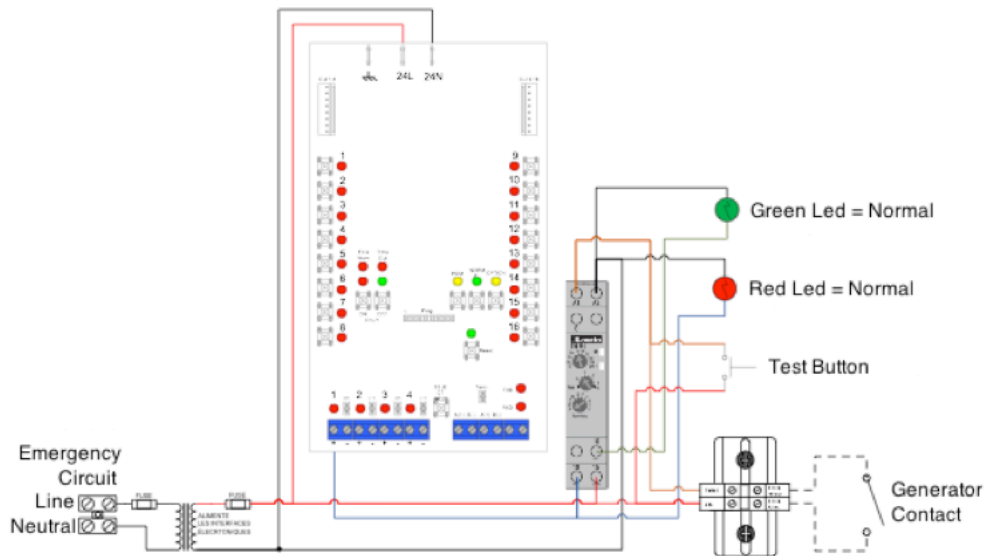
- ▶ Green LED Status
- ▶ Red LED Status
- ▶ Test Button
- ▶ Timer
- ▶ Input terminals
- ▶ Instructions manual





Cristal Controls CCLP Emergency Option

Connections



2 / 3

This picture shows a simplified view inside of the panel.

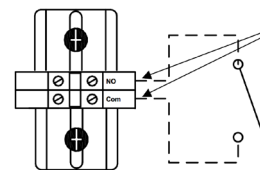
The dashed lines (---) are supplied and installed by the electrician.

Instructions Manual CCLP Emergency Option

LED :

Green indicate the panel is powered and the emergency contact is ABSENT

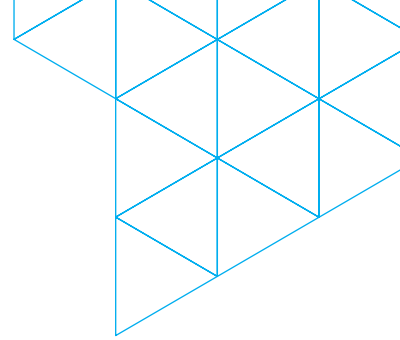
Red indicate the panel is powered and the emergency contact is PRESENT



Bouton :

Use to simulate an emergency contact without cutting normal power (5 second delay is in action)

Connect the two (2) dry contact terminals of the generator.



Cristal Controls CCLP Emergency Option

Operation

When the panel loses power, no changes occur on the relay. Local or network commands are no longer possible.

When the panel recovers power, no changes occur on the relay. If the generator contact is close the emergency signal will be sent after the 5 seconds delay

When the panel is powered and the emergency contact is present an ON command will be sent to the relay programmed to switch ON in emergency mode.

The timer can be adjusted with the center potentiometer.

3 / 3



Factory default setting is 10s, 5/10, Functions « A ».