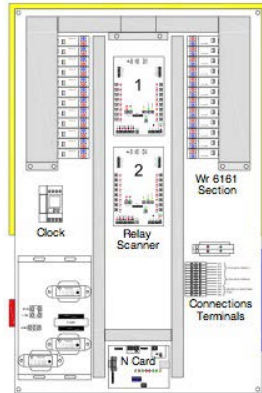


Relay Panels

Low-Voltage Lighting Control Systems

CCLP-BACNET-X



1 / 3

Description

Cristal Controls relay panels series CCLP-CCLS4016 with BACnet networking option via interface CC-Bacnet for low-voltage lighting control applications offer the following features :

- ▶ Intuitive configuration of the groupings and types of entries using push buttons on the CCLS-4016 scanner
- ▶ No personal computer or special software required to set up the panels
- ▶ Each panel to be controlled by a BACnet network (I.P. or MSTP)
- ▶ Nema-1 panel including door lock, control transformer and voltage barrier
- ▶ CSA US or UL certifications
- ▶ 120-1/347-1 supply (277-1 available on request)
- ▶ Pre-assembled and pre-programmed in factory as per specifications

Unique Panel-to-Panel Communication Mode

Expansion of the CCLS-4016 programming mode to the relays of other lighting panels available in the building. Allows the configuration of a complete lighting system as a giant virtual lighting panel only with the use of buttons and LEDs.

Panneau à relais

CCLP-BACNET-X

Systèmes de contrôle d'éclairage à bas voltage

Supported BACnet Objects

Object	Numéro	Nom	Valeur Min	Valeur Max	Défaut	Description
Device		CCLP-1664	0	4194302		
BI	0-15	INPUT 01-16	0 = OFF	1 = ON	0 = OFF	État actuel des entrées programmables
BI	16-79	RELAY FB 01-64	0 = OFF	1 = ON	0 = OFF	État réel des relais
BO	0-63	RELAY CMD 01-64	0 = OFF	1 = ON	0 = OFF	Pour envoyer une commande à un relais
BO	64-127	RELAY FLK 01-64	0 = OFF	1 = ON	0 = OFF	Envoie une commande d'avertissement "flick" à un relais
BV	0-7	GROUP CMD 01-08	0 = OFF	1 = ON	0 = OFF	Envoie une commande vers un groupe de plusieurs relais
BV	8-15	GROUP FLK 01-08	0 = OFF	1 = ON	0 = OFF	Envoie une commande d'avertissement "flick" à un groupe de relais
BV	16	CAN-GATEWAY	0 = Inactif	1 = Actif	0	Active la communication des CCLS-4016 entre les panneaux
AV	0-7	GROUP FB 01-08	0.0 %	100.0 %	0.0 %	Retour d'état pour les relais d'un groupe. 0% = OFF, 100% = ON, autre = mélangé
AV	8-11	CCLS ADDR 01-04	1	127	Auto	Adresse CAN des contrôleurs CCLS-4016
FILE	0	FILE 0				Configuration des groupes
FILE	1	FILE 1				Informations sur les versions
FILE	2	FILE 2				Journal des événements d'éclairage

2 / 3

For detailed informations look at :

<http://www.cristalcontrols.com/lighting-control-systems/bacnet-networking-options/>

Relay panels

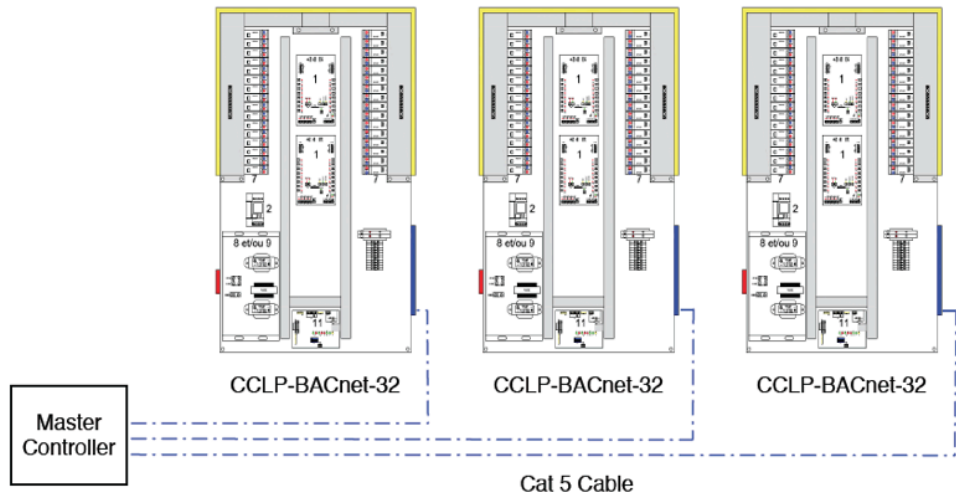
BACnet Network Node

CCPL-x

Typical Network Connections

BACnet I.P.

3/3



BACnet mstp

