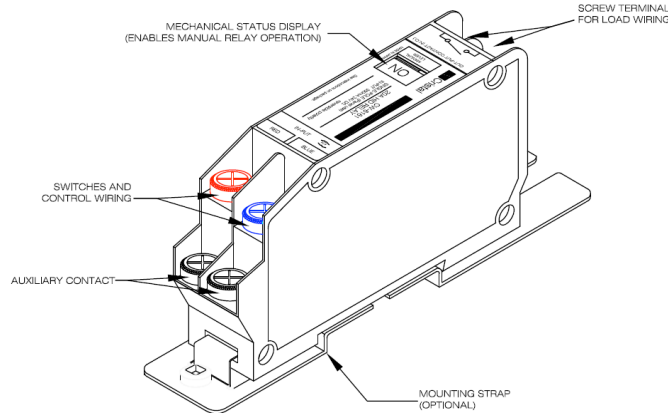


HID Relay

WR-6161 WR-6166



1/2

Description:

Panasonic WR-6161 (1 pole) or WR-6166 (2 poles) lighting relay allows control of the lighting system or any other application within its specifications and can easily be controlled with a low voltage supply (24 Vac).

- ▶ 24 Vac rectified momentary command
- ▶ 1 line voltage output
- ▶ 1 low voltage output
- ▶ Mechanical status indicator
- ▶ ON/O FF manual bypass control

Certifications:

- ▶ CSA and UL

Applications:

1. On/Off control of any lighting equipment or other electrical load.
2. The line voltage output can be used for an array of lighting equipment. It can also be used for any other application within its specifications.
3. The low voltage output can be used to provide status feedback or any other application within its specifications.

HID Relay**WR-6161**
WR-6166

Technical Specifications**Input**

- ▶ 18 Vac to 30 Vac, rectified positively or negatively
- ▶ Status change delay: 1 cycle typical, 3 cycles maximum
 - Positive pulse: relay OFF
 - Negative pulse: relay ON

Output

- ▶ Contact principal
 - General use
 - Inductive load
 - Tungsten: 2400W, 120 Vac
 - Fluorescent lamp
 - H.I.D. lamp: 20A, 120-277,347-1
 - WR-6166 2 poles, 20A 120, 277, 347-1

Consumption

- ▶ On a status change: 350mA

Test Conditions

- ▶ Switching cycle: 20/min
- ▶ Over 60,000 on/off operations

Operating Temperature Spectrum

- ▶ -30°C to 50°C (-22°F to 122°F)

Certification

- ▶ CSA and UL