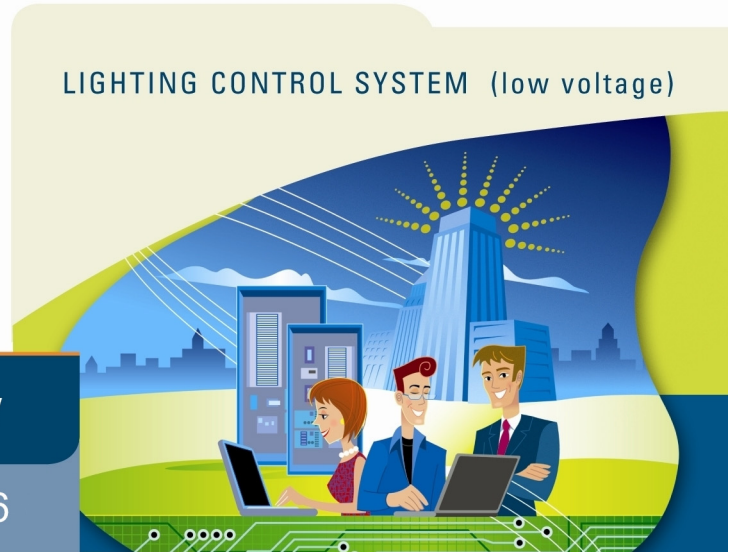




LIGHTING CONTROL SYSTEM (low voltage)

HID Relay

WR-6161 & WR-6166



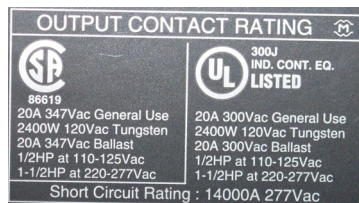
Description

The Panasonic WR-6161 and WR-6166 relay allows to control the lighting system or any other application within the specifications. It can be controlled easily with a low voltage supply (24 Vac).

- 24 Vac rectified momentary command
- 1 line voltage output
- 1 low voltage output
- Mechanical status indicator
- ON/OFF manual bypass control



Certifications:



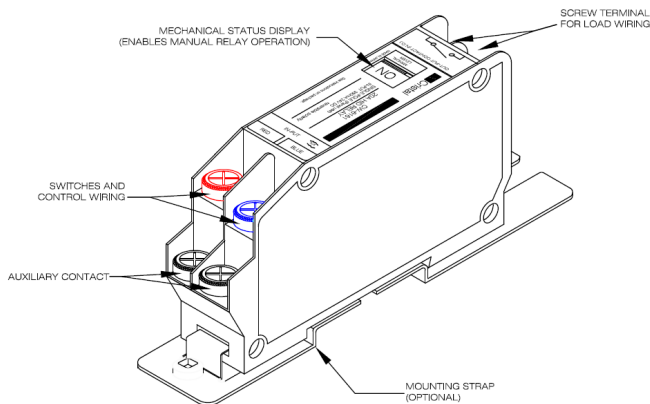
WR6161 relay

HID Relay

WR-6161 & WR-6166

Applications

1. On/Off control of any lighting equipment or any other electrical load.
2. The line voltage output can be used for a multitude of lighting equipment. It can also be used for any other application within the specifications.
3. The low voltage output can be used to provide status feedback or any other application within the specifications.



Overview of a WR-6161

Technical specifications

Input

- 18 Vac to 30 Vac rectified positively or negatively
- Status change delay : 1 cycle typical, 3 cycles maximum
 - Positive pulse : relay Off
 - Negative pulse : relay On

Output

- Main contact
 - WR 6161 General use 1 pole 20A, 347 Vac
 - WR-6166 General use 2 poles 20A, 347 Vac
 - Inductive load : 20A, 347 Vac
 - Tungsten: 2400W, 120 Vac
 - Fluorescent lamp : 20A, 347 Vac
 - H.I.D. lamp : 20A, 347 Vac

Consumption

- On a status change : 350mA

Test conditions

- Switching cycle : 20/min
- More than 60 000 On/Off operations

Operating temperature

- -30°C to 50°C (-22°F to 122°F)

Certification

- Canadian Standard Association (CSA)
- Underwriters Laboratories(UL)